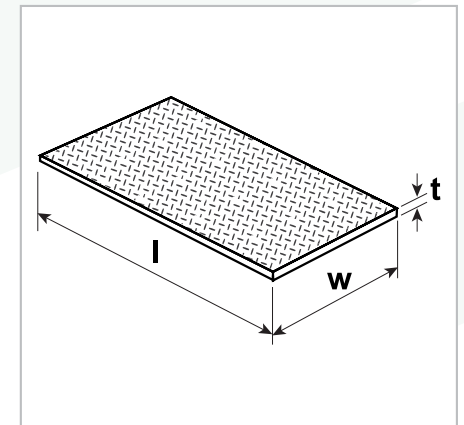
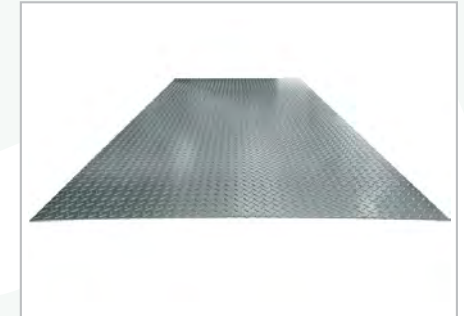


PLATE PRODUCTS REFERENCE GUIDE: FLOOR PLATE

Designation	Weight	Thickness t	Width w	Length l	Designation	Weight	Thickness t	Width w	Length l
	kg/m ²	mm	mm	mm		kg/m ²	mm	mm	mm
1200x2400	18.49	2.1	1200	2400	1500x3000	41.25	5	1500	3000
1200x2400	25.55	3	1200	2400	1500x6000	41.25	5	1500	6000
1200x3000	25.55	3	1200	3000	1200x2400	49.10	6	1200	2400
1200x4200	25.55	3	1200	4200	1200x6000	49.10	6	1200	6000
1200x6000	25.55	3	1200	6000	1500x6000	49.10	6	1500	6000
1200x6900	25.55	3	1200	6900	1800x6000	64.80	8	1800	6000
1200x2400	41.25	5	1200	2400	1800x6000	80.50	10	1800	6000
1200x6000	41.25	5	1200	6000	1800x6000	96.20	12	1800	6000



- Manufactured in accordance with the requirements of Australian Standard AS/NZS 3678 in Grade 250.